

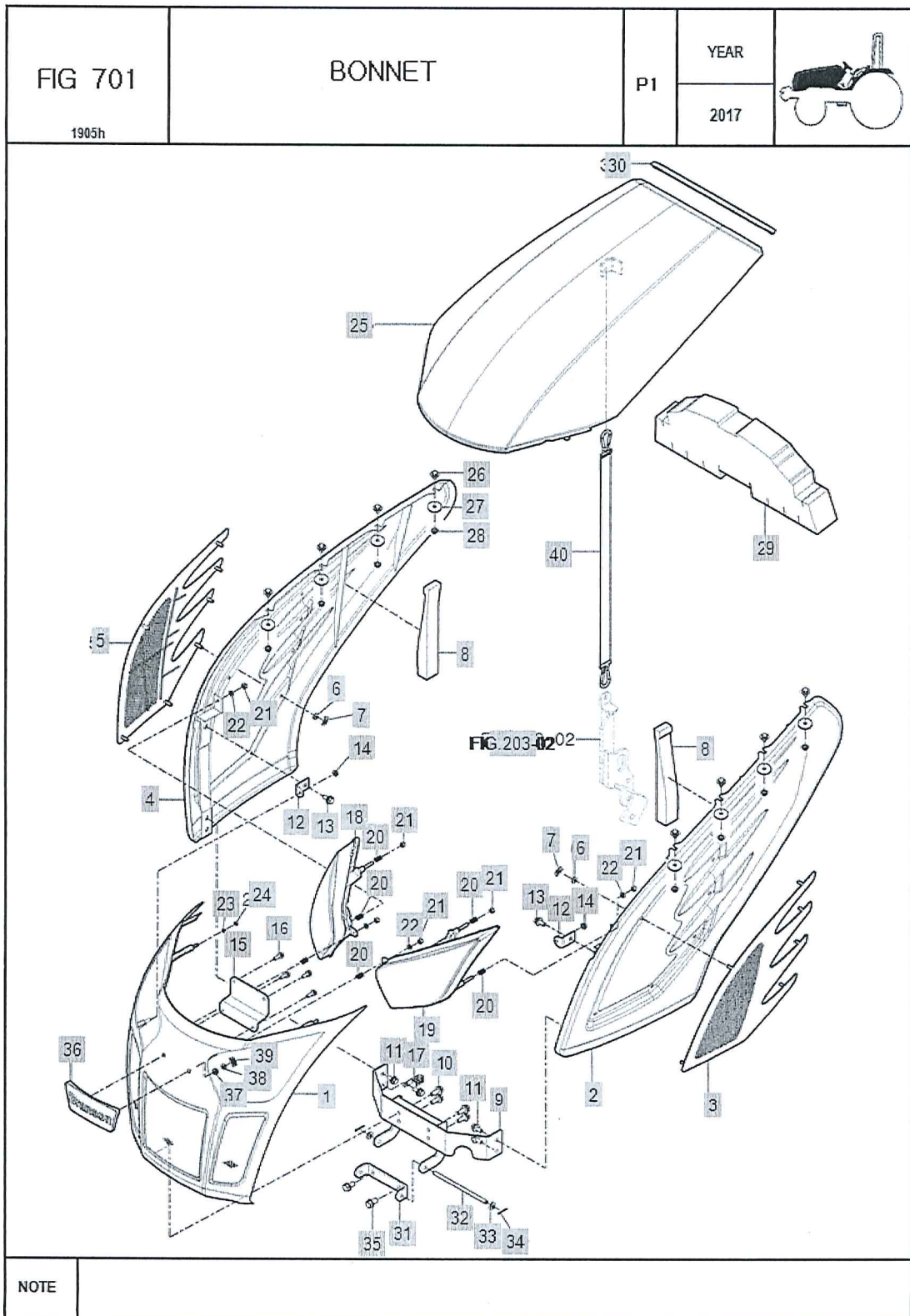
FIG 6701

Elst - Lottum - Smilde - Aalsmeerderbrug **BONNET**

Branson 1905h EU-T

Year/Month

2020/08



<b>FIG 0701</b> <b>Elst - Lottum - Smilde - Aalsmeerderbrug BONNET</b> Branson 1905h EU-T	Year/Month
	2020/08

KeyNo.	Part Number	Part Name	Quantity	Other
1	TA00052972A	GRILL COMP , FRONT	1	
2	TA00052973A	PANEL COMP , LH/SIDE	1	
3	TA00052974A	GRILL , LH/SIDE	1	
4	TA00052975A	PANEL COMP , RH/SIDE	1	
5	TA00052976A	GRILL , RH/SIDE	1	
6	TA00052198A	WASHER , NET	14	
7	TA00053741A	NUT, PUSH-ON SPRING	14	
8	TA00052977A	INSULATOR , SIDE	2	
9	TA00052978A	HINGE COMP , BONNET	1	
10	26016-080252	Bolt, Hexa (8-25)	4	
11	26016-080202		4	
12	TA00052992A	BRACKET , SIDE	2	
13	26016-080202		2	
14	26367-060002	Nut, Hexa (Φ6)	2	
15	TA00052993A	BRACKET , CTR	1	
16	26016-060202	SCREW,CAPTIVEWASHERCAP	4	
17	37371720110	CLAMP , FLASHER W/HARNESS	1	
18	TA00052994A	HEAD LAMP ASSY , RH	1	
19	TA00052995A	HEAD LAMP ASSY , LH	1	
20	TA00052996A	SPRING , ENTRANCE FOR SEED(HC0	6	
21	TA00052369A	NUT , NYLON , M6	6	
22	22137-060000	WASHER , PLAIN	4	
23	22217-050000	WASHER, SPRING (Φ 05)	2	
24	26712-050001	NUT , HEX/1	2	
25	TA00052997A	HOOD COMP	1	
26	26015-060162	BOLT	8	
27	TA00052998A	WASHER , 6X30X2.3	8	
28	26367-060002	Nut, Hexa (Φ6)	8	
29	TA00052999A	INSULATOR, RADIATOR	1	
30	TA00053000A	INSULATOR , HOOD	1	
31	TA00053001A	BRACKET , HINGE	1	
32	TA00053004A	PIN , HINGE	1	
33	22137-080000	WASHER, PLAIN (Φ 08)	2	
34	22417-250200	PIN , COTTER (2-20)	2	
35	26013-100302	SCREW,CAPTIVEWASHERCAP	2	
36	TA00053133A	EMBLEM , BRANSON	1	
37	TA00052198A	WASHER , NET	2	
38	22137-060000	WASHER , PLAIN	2	
39	TA00053741A	NUT, PUSH-ON SPRING	2	
40	11616017600		1	
FIG.203-02	C203		0	

FIG 6702

Elst - Lottum - Smilde - Aalsmeerderbrug FLOOR

Branson 1905h EU-T

Year/Month

2020/08

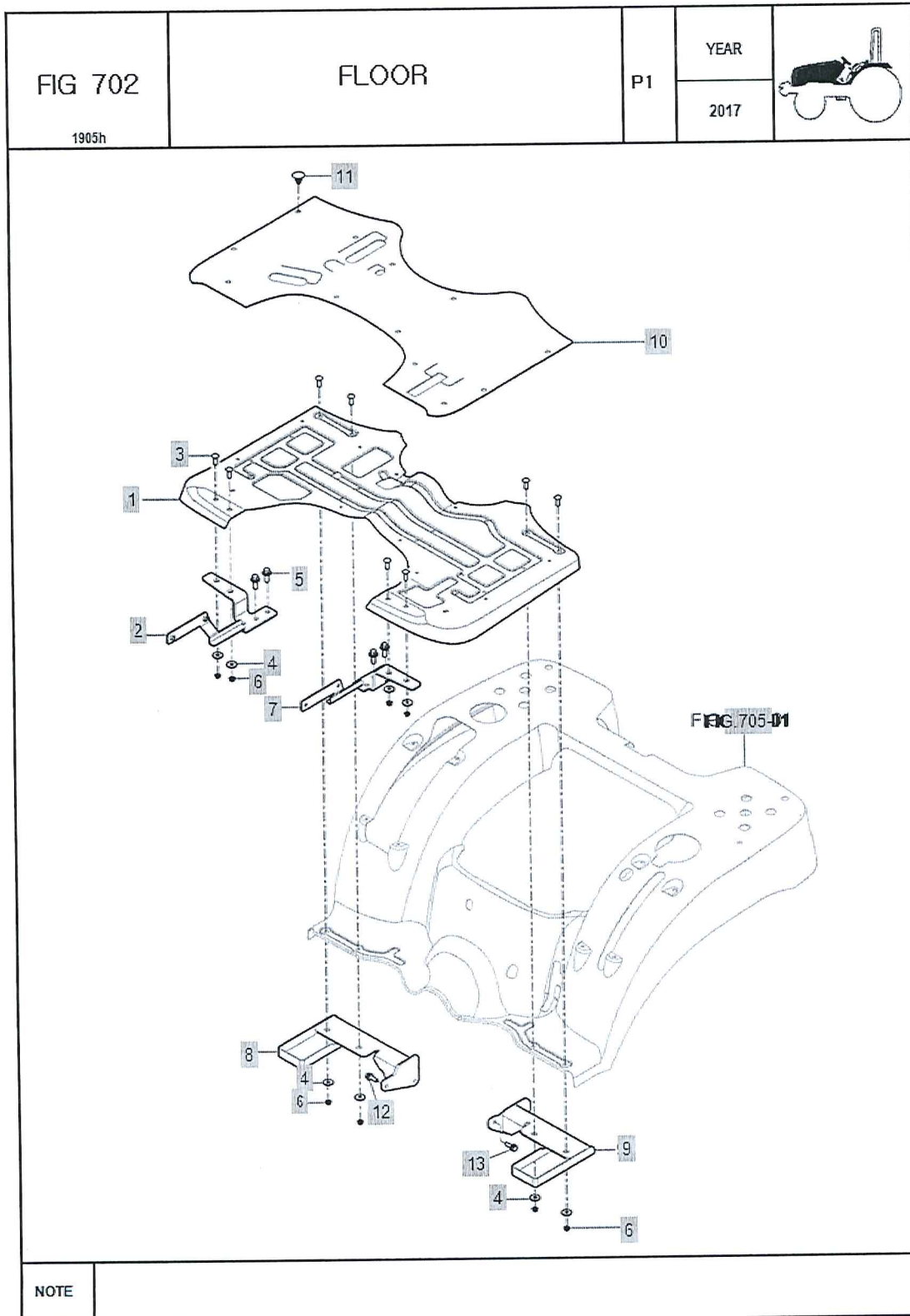




FIG C705

Branson 1905h EU-T

LEVER COVER & FENDER

Year/Month

2020/08

FIG 705

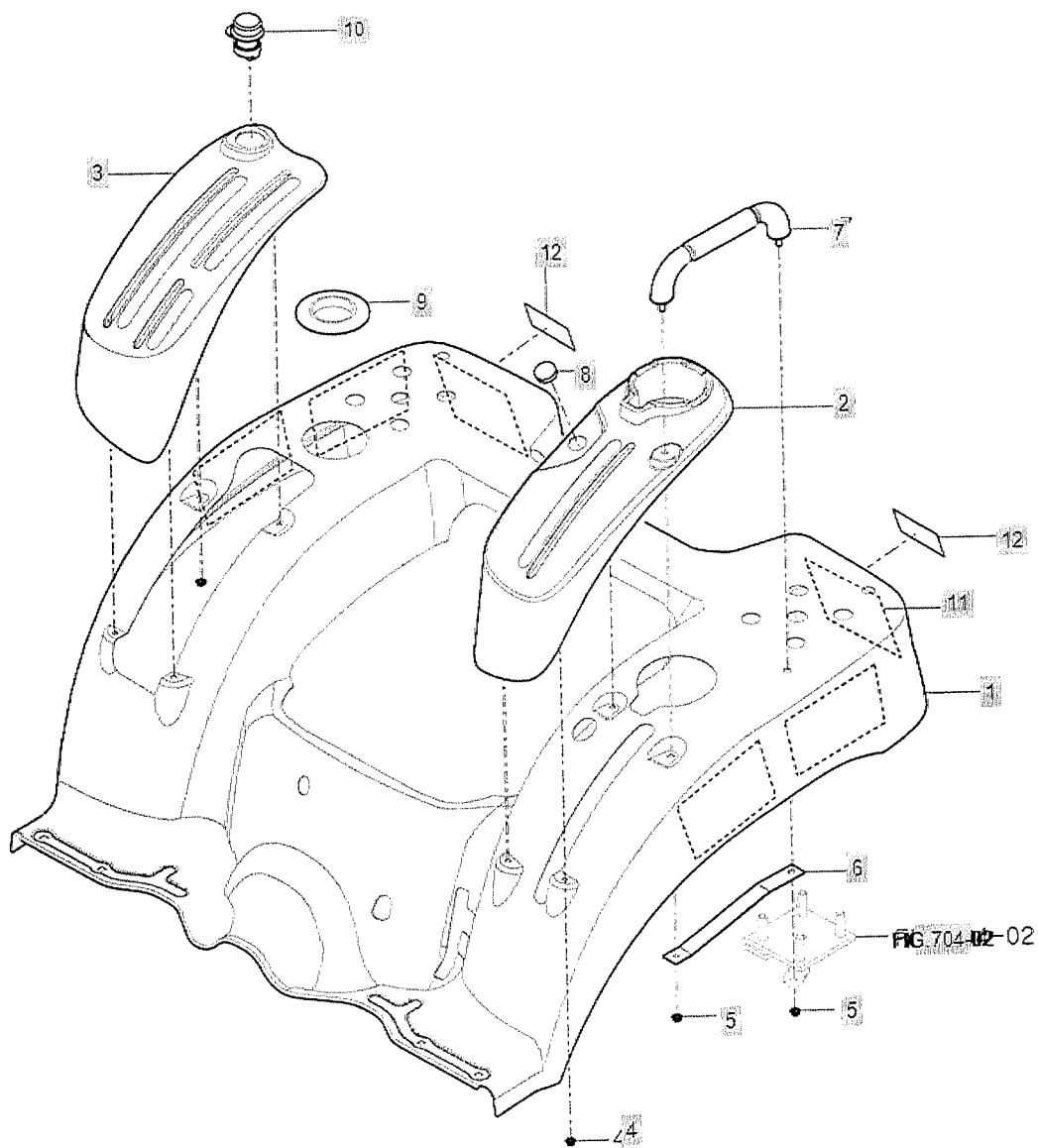
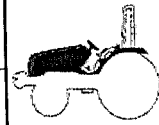
1905h

LEVER COVER & FENDER

P1

YEAR

2017



NOTE



FIG C706

REARVIEW MIRRORSREARVIEW MIRRORS

Year/Month

Branson 1905h EU-T

2020/08

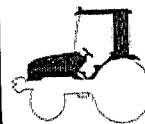
FIG 706

REARVIEW MIRRORS

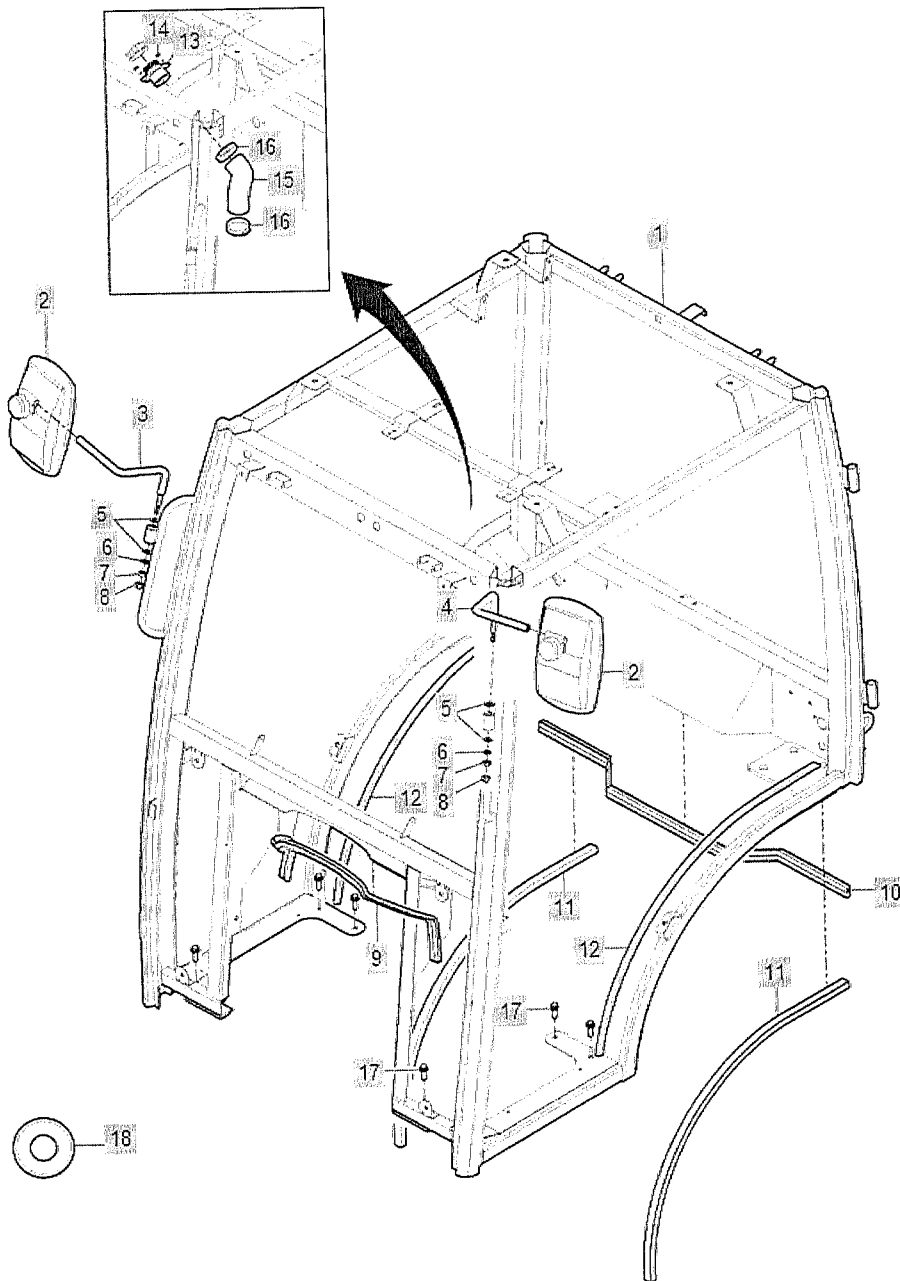
P1

YEAR

2017



1905h



NOTE

CABIN OPTION





FIG C707

Branson 1905h EU-T

FRONT GLASS

Year/Month

2020/08

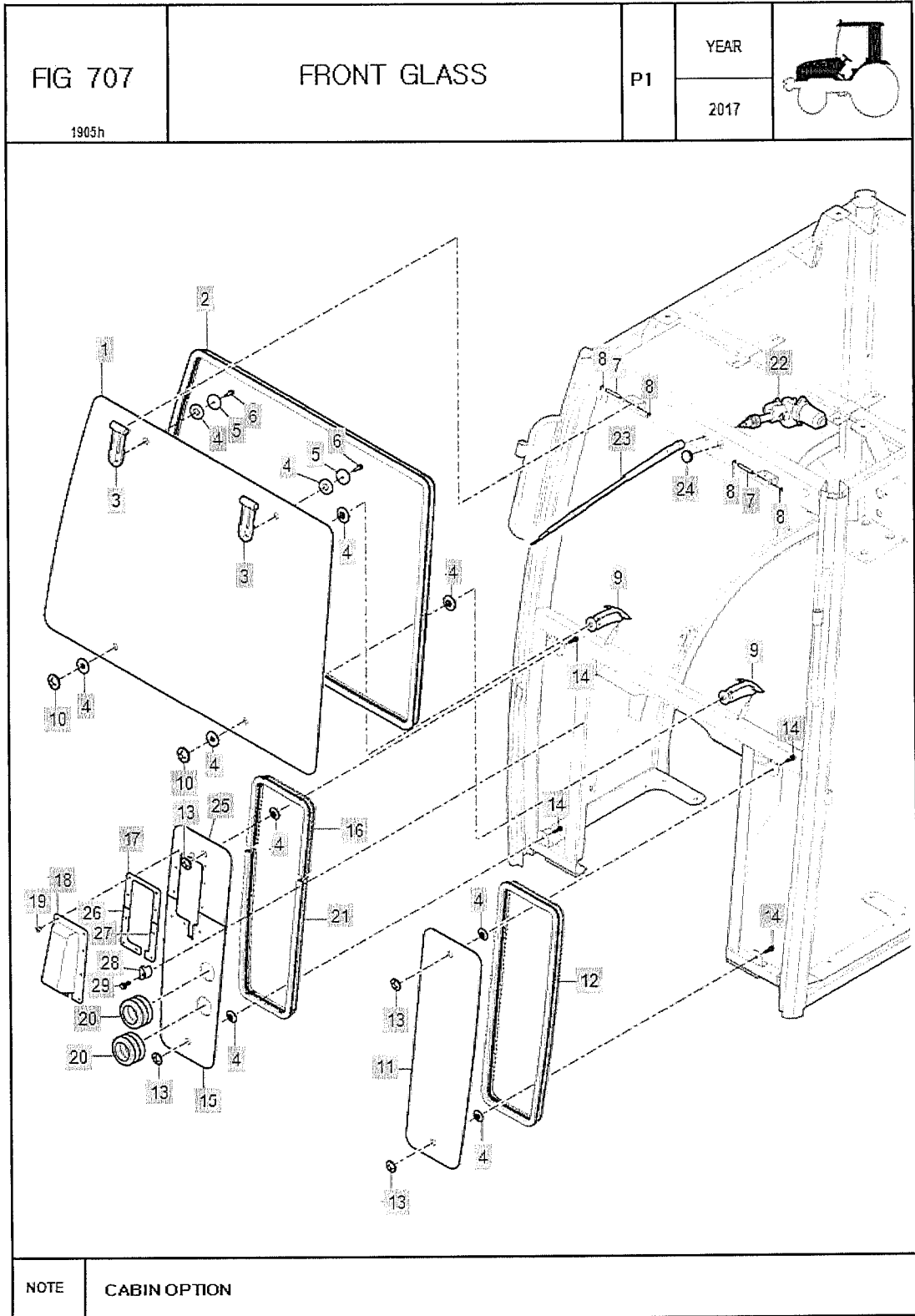




FIG C708

Branson 1905h EU-T

DOOR-LH

Year/Month

2020/08

FIG 708

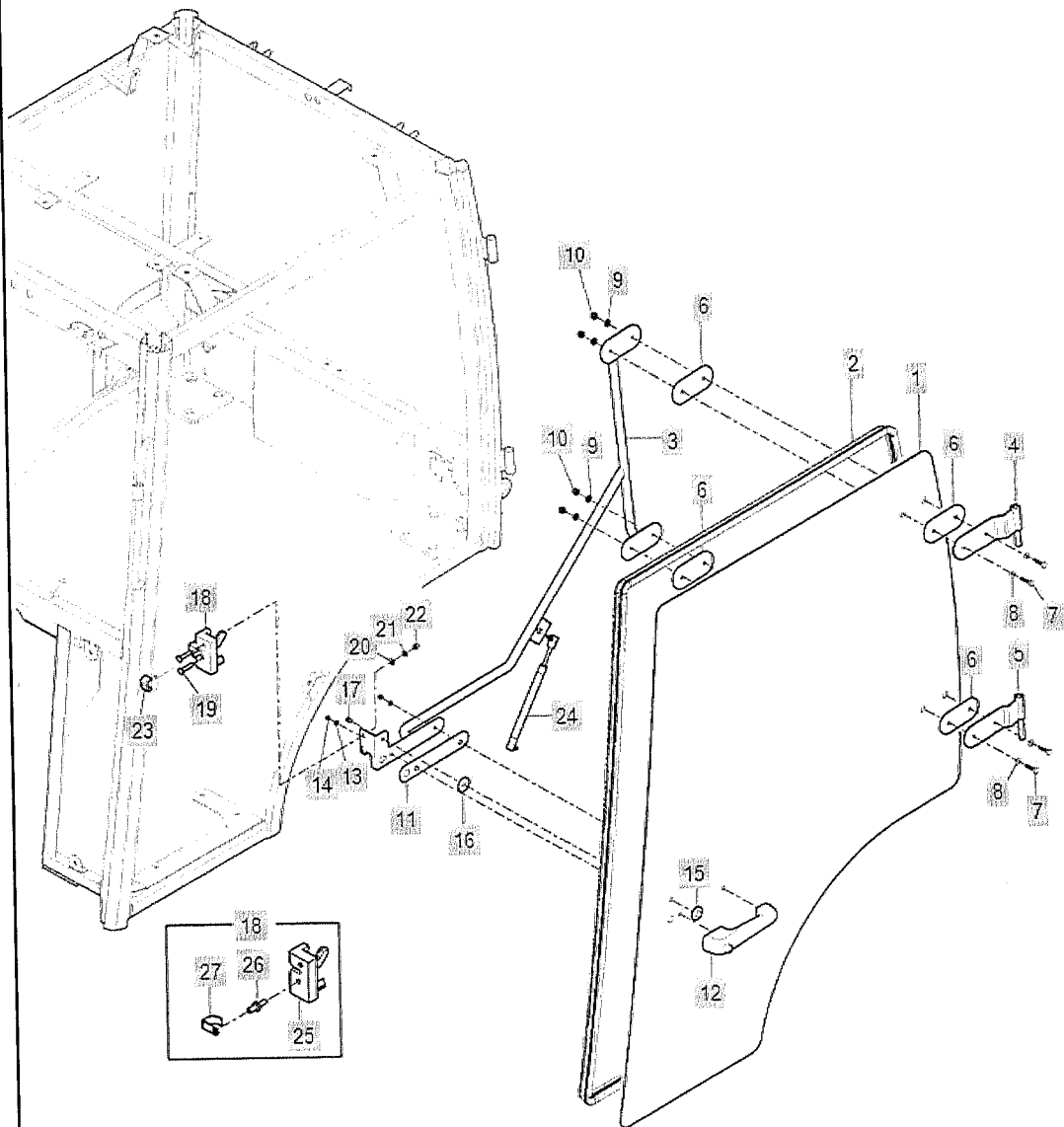
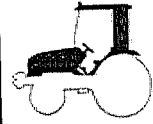
1905h

DOOR-LH

P1

YEAR

2017



NOTE

CABIN OPTION

000



FIG C709

Branson 1905h EU-T

DOOR-RH

Year/Month

2020/08

FIG 709

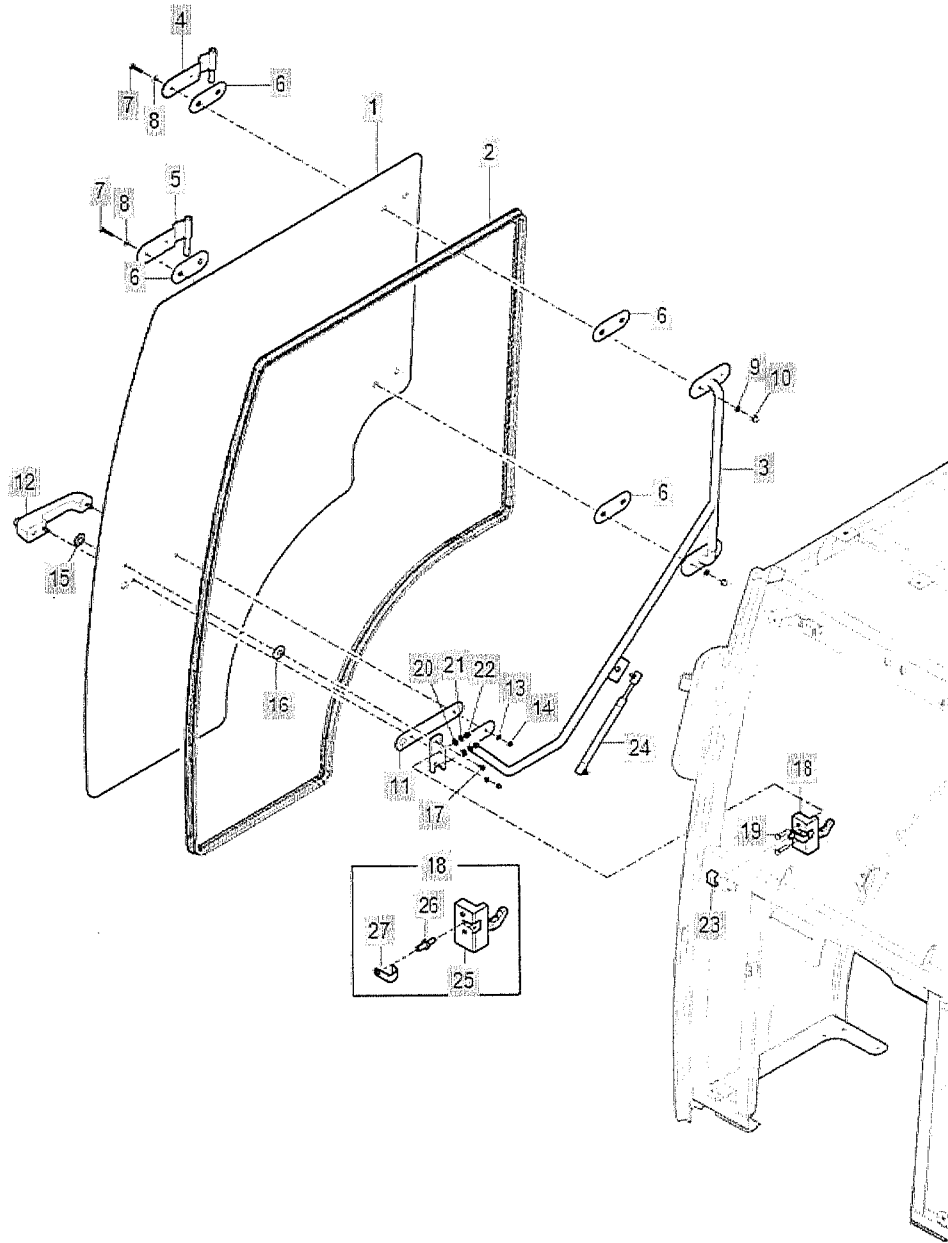
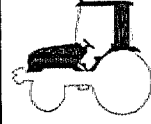
1905h

DOOR-RH

P1

YEAR

2017



NOTE

CABIN OPTION

000



FIG C710

Branson 1905h EU-T

REAR GLASS

Year/Month

2020/08

FIG 710

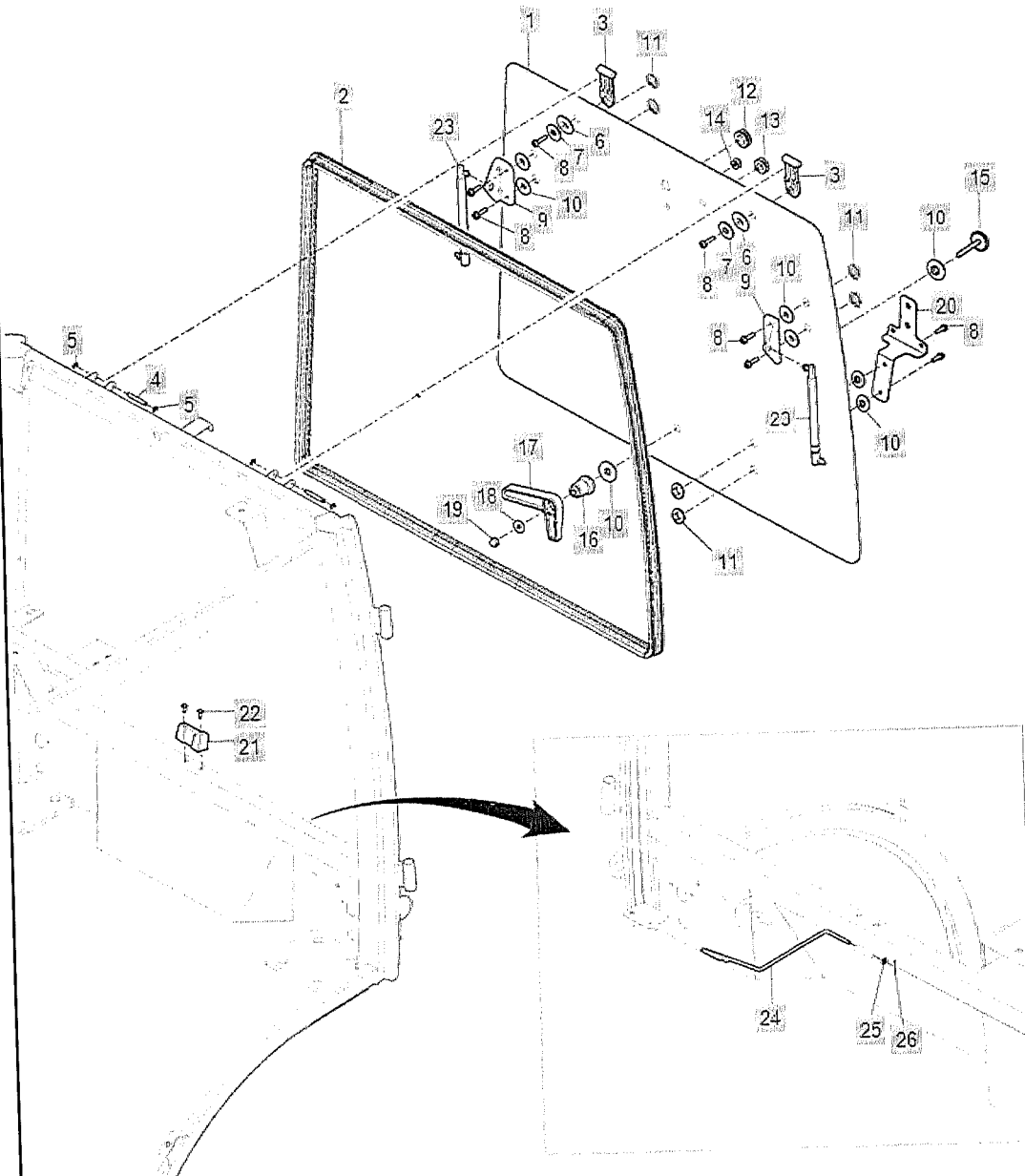
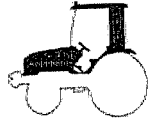
1905h

REAR GLASS

P1

YEAR

2017



NOTE

CABIN OPTION





FIG C711

Branson 1905h EU-T

ROOF

Year/Month

2020/08

FIG 711

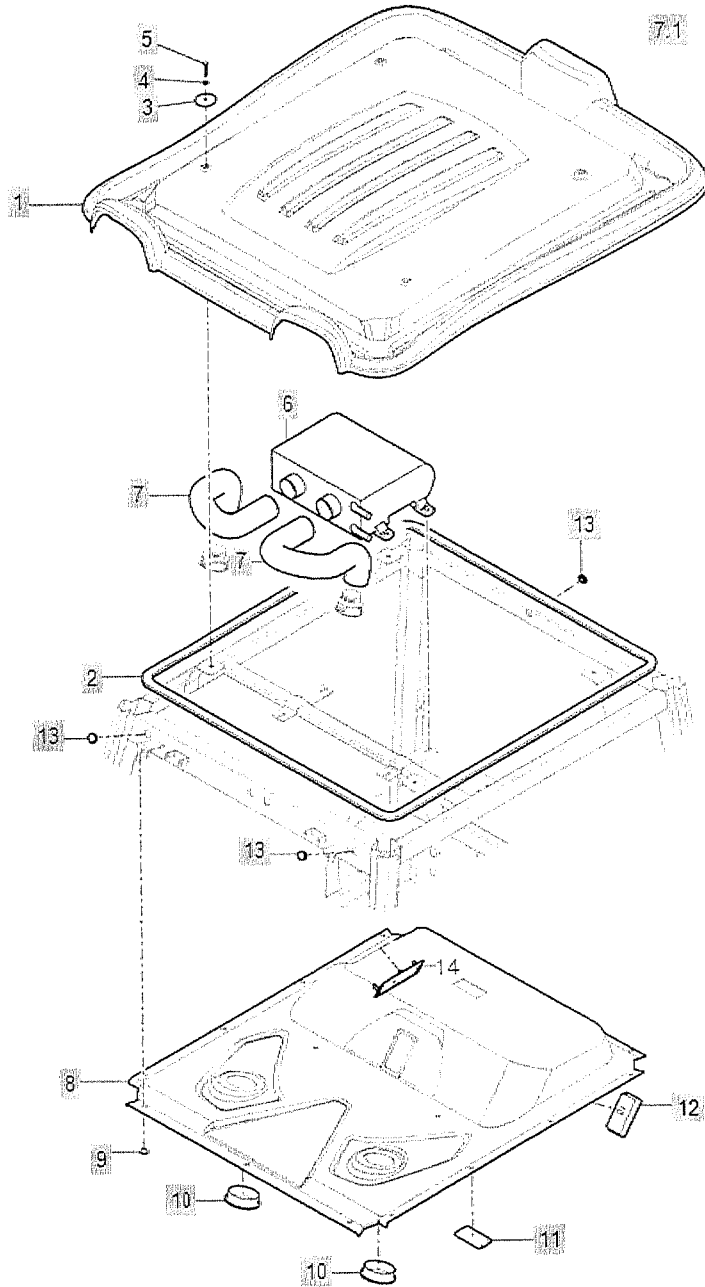
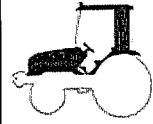
1905h

ROOF

P1

YEAR

2017



NOTE

CABIN OPTION



FIG C712

Branson 1905h EU-T

WORKING LAMP & FENDER COVER

Year/Month

2020/08

FIG 712

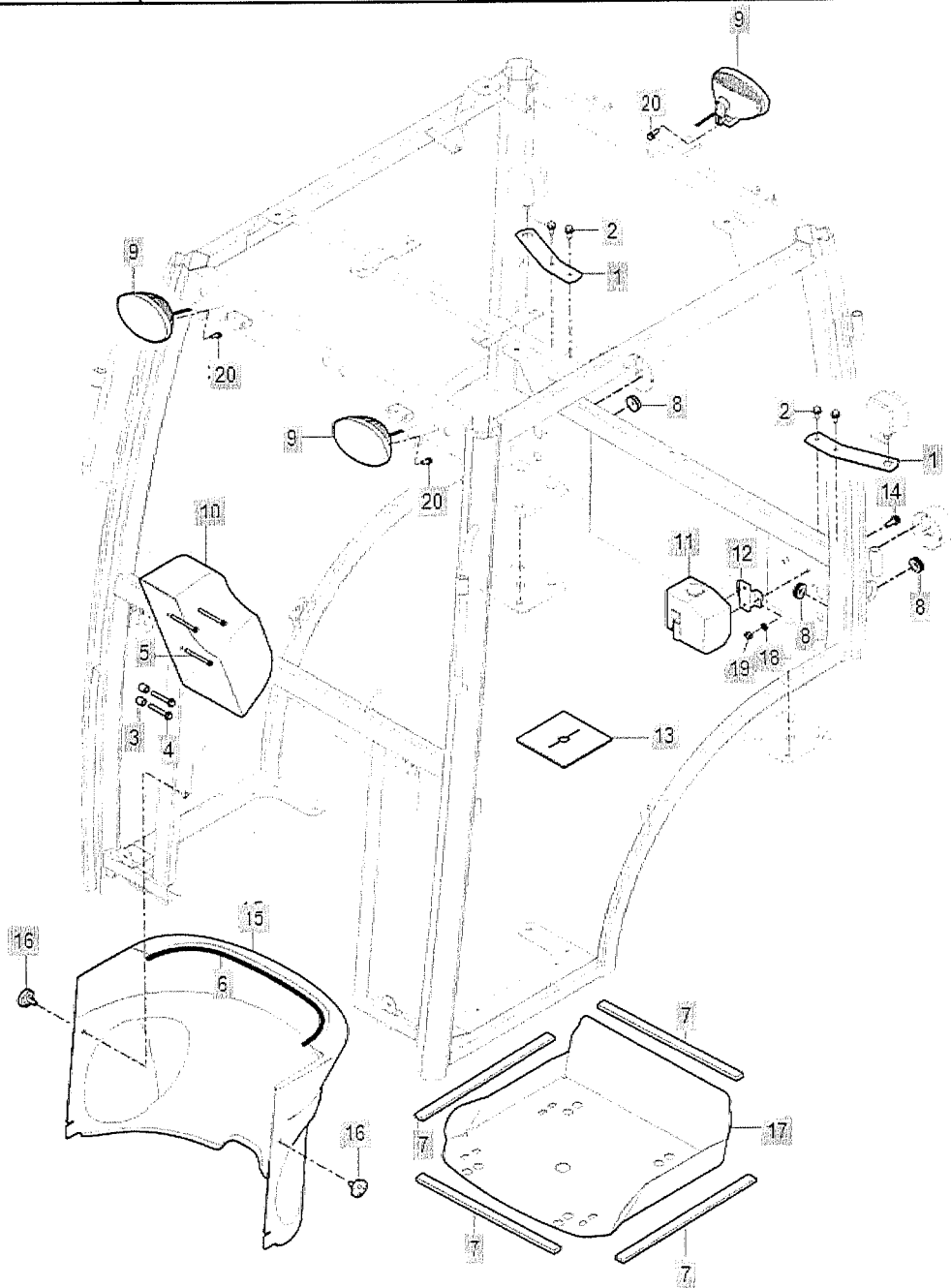
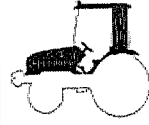
1905h

WORKING LAMP & FENDER COVER

P1

YEAR

2017



NOTE

CABIN OPTION

000



FIG C713

Branson 1905h EU-T

# HEATER SUB

Year/Month

2020/08

FIG 713

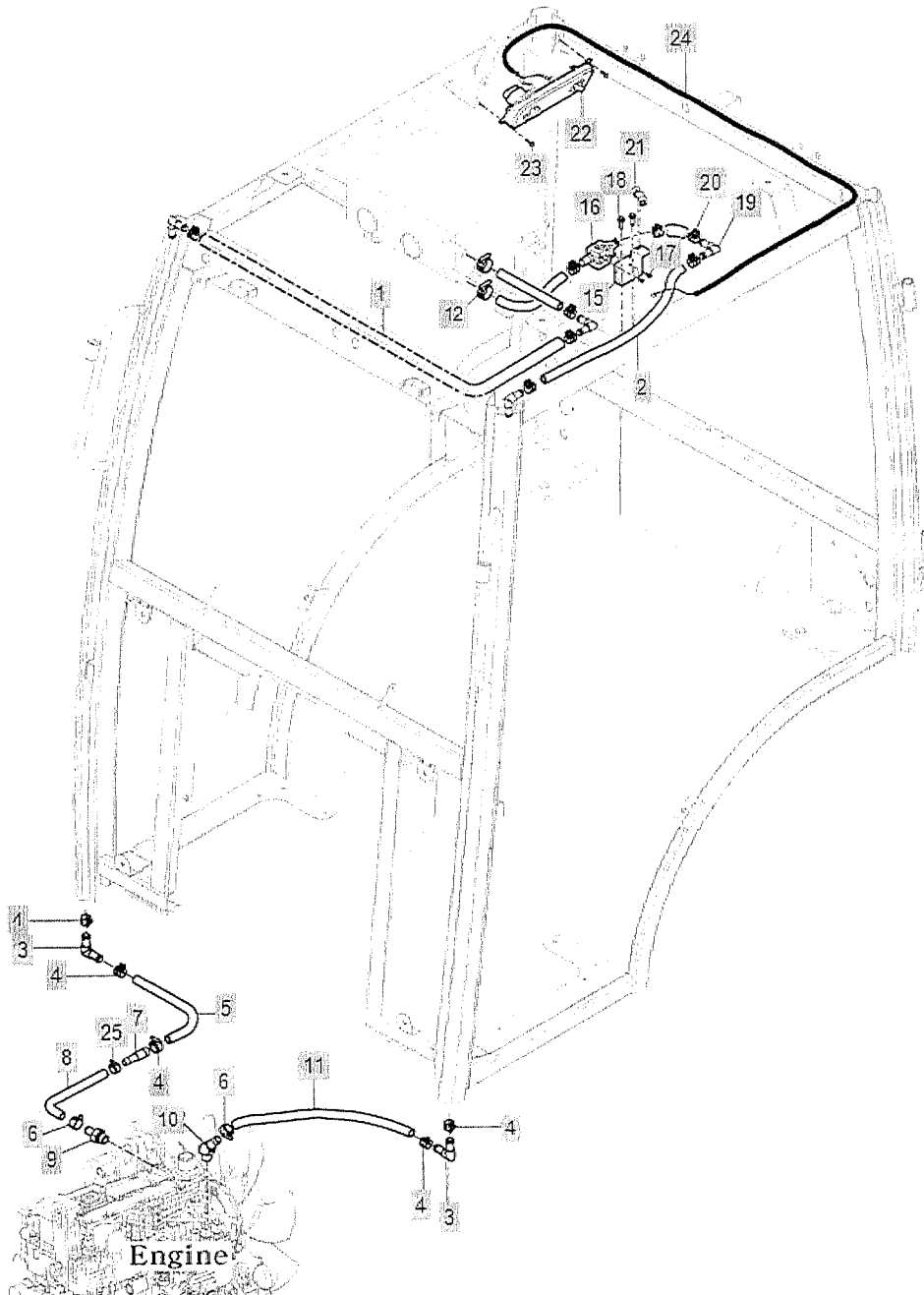
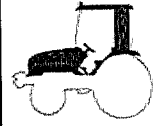
1905h

## HEATER SUB

P1

YEAR

2017



NOTE

CABIN OPTION

